



# COLORING BOOK

## YEAR 2

Text: Copyright © 2016. Generations of Grace. All Rights Reserved.  
Illustrations: Copyright © 2016. Chad Frye. All Rights Reserved. ([www.chadfrye.com](http://www.chadfrye.com))

Generations of Grace  
13248 Roscoe Blvd.  
Sun Valley, CA 91352

[www.generationsofgrace.com](http://www.generationsofgrace.com)

Scripture quotations are from The ESV® Bible  
(The Holy Bible, English Standard Version®)

Copyright © 2001 by Crossway.  
Used by permission. All rights reserved.

ISBN 978-1-4951-8708-7

This curriculum has been designed to deepen your own study of God's word so that you might be able to properly understand and accurately teach each lesson. It's our prayer that this curriculum would be a blessing to your ministry and home as God uses it to edify your teachers, evangelize your children, and encourage your families.



## Illustrate the Lesson

**Coloring Pictures** – Creative and fun pictures that accurately portray the Bible.

**Supporting Truths** – Communicates the truths of each lesson and picture to the child's heart and mind.

## Additional Resources

Use these additional resources to help support your lessons and to knit together the church and the home, ensuring that what is taught on Sunday matches what is learned throughout the week.

- Teacher Book
- Student Journal
- Craft Book
- Family Devotional
- Activity Book



## LESSON 33



God uses Daniel to interpret the king's dream • Daniel 2:1-49



God alone has wisdom and power to rule over all.

## LESSON 33

God uses Daniel to interpret the king's dream • Daniel 2:1-49



God rules over the kingdoms of earth.



# CRAFT BOOK

YEAR 2 • BOOK 2

Text: Copyright © 2016. Generations of Grace. All Rights Reserved.

Illustrations: Copyright © 2016. Chad Frye. All Rights Reserved. ([www.chadfrye.com](http://www.chadfrye.com))

Generations of Grace  
13248 Roscoe Blvd.  
Sun Valley, CA 91352

[www.generationsofgrace.com](http://www.generationsofgrace.com)

Scripture quotations are from The ESV® Bible  
(The Holy Bible, English Standard Version®)

Copyright © 2001 by Crossway.

Used by permission. All rights reserved.

ISBN 978-1-4951-8707-0

This curriculum has been designed to deepen your own study of God's word so that you might be able to properly understand and accurately teach each lesson. It's our prayer that this curriculum would be a blessing to your ministry and home as God uses it to edify your teachers, evangelize your children, and encourage your families.



## Apply the Lesson

The *Craft Book* provides the resources that are designed to engage children after you have taught the lesson. The craft is meant to not only reinforce what is taught in Sunday school but is to be a visual reminder of the lesson in the home.

- **Crafts for Ages 3-5** – Illustrates the central truth of each lesson for young children.
- **Crafts for Ages 6-8** – Illustrates the story and truths of each lesson for children.

## Additional Resources

Use these additional resources to help support your lessons and to knit together the church and the home, ensuring that what is taught on Sunday matches what is learned throughout the week.

- **Teacher Book**
- **Student Journal**
- **Coloring Book**
- **Family Devotional**
- **Activity Book**



God uses Daniel to interpret the king’s dream • Daniel 2:1–49

## God Reveals a Secret

See page 22 of the Teacher Book Year 2, Book 3

“You, O king, the king of kings, to whom the God of heaven has given the kingdom, the power, and the might, and the glory, and into whose hand he has given, wherever they dwell, the children of man, the beasts of the field, and the birds of the heavens, making you rule over them all—you are the head of gold” (Dan 2:37–38).

“Another kingdom inferior to you shall arise after you” (Dan 2:39a).

“and yet a third kingdom of bronze, which shall rule over all the earth (Dan 2:39b).

“And there shall be a fourth kingdom, strong as iron, because iron breaks to pieces and shatters all things. And like iron that crushes, it shall break and crush all these” (Dan 2:40).

“You, O king, the king of kings, to whom the God of heaven has given the kingdom, the power, and the might, and the glory, and into whose hand he has given, wherever they dwell, the children of man, the beasts of the field, and the birds of the heavens, making you rule over them all—you are the head of gold” (Dan 2:37–38).

“Another kingdom inferior to you shall arise after you” (Dan 2:39a).

“and yet a third kingdom of bronze, which shall rule over all the earth (Dan 2:39b).

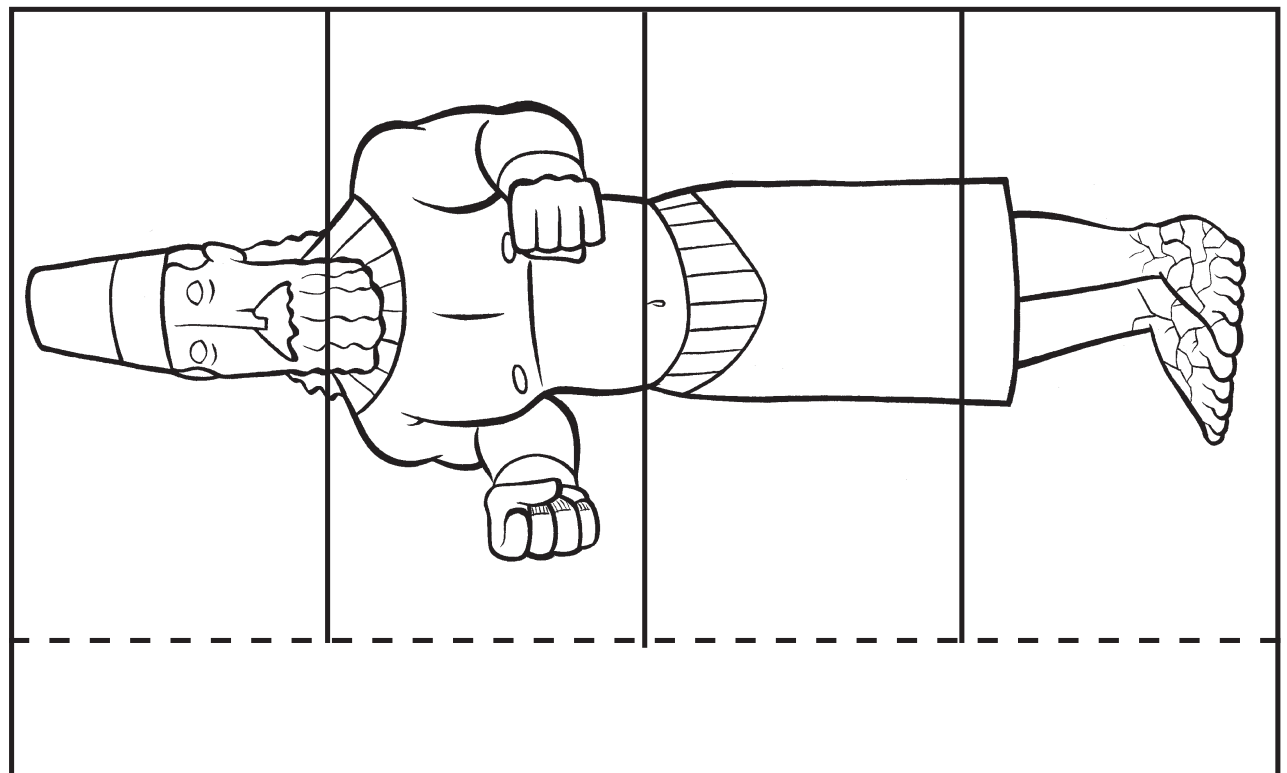
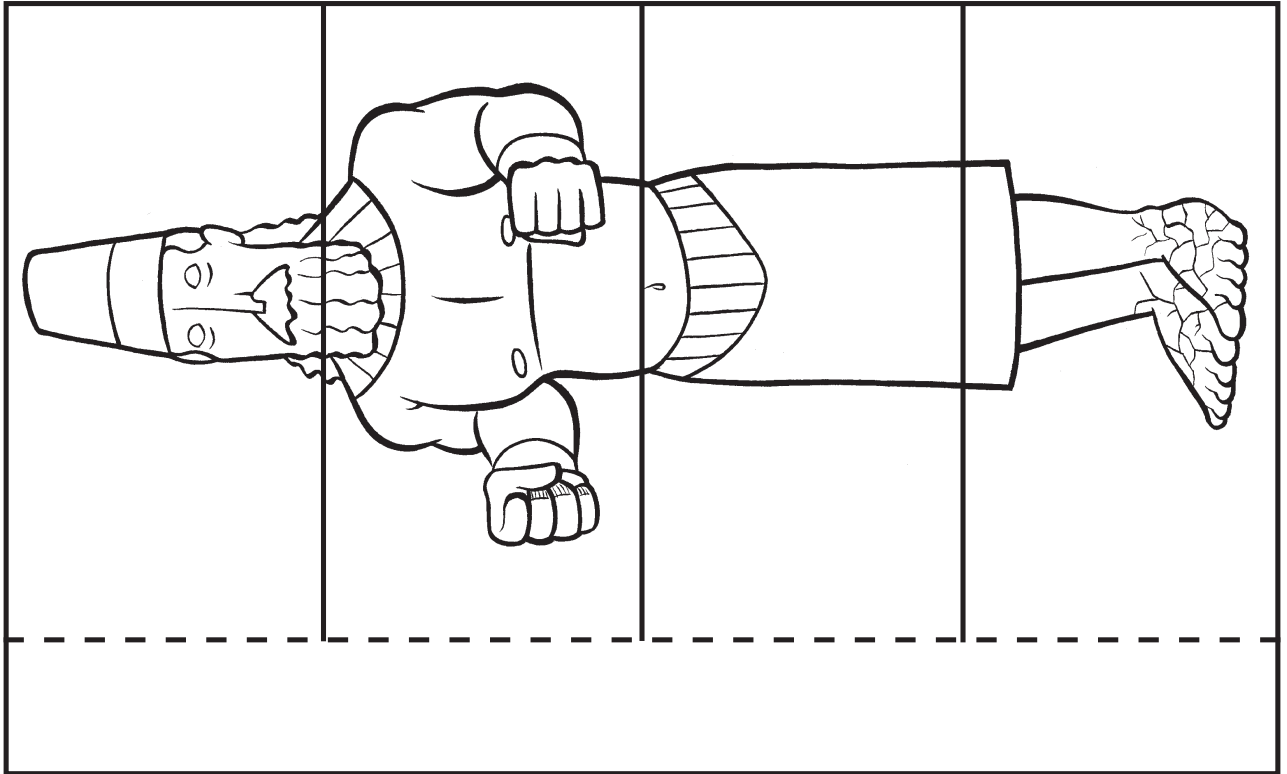
“And there shall be a fourth kingdom, strong as iron, because iron breaks to pieces and shatters all things. And like iron that crushes, it shall break and crush all these” (Dan 2:40).



God uses Daniel to interpret the king's dream • Daniel 2:1-49

## God Reveals a Secret

See page 22 of the Teacher Book Year 2, Book 3







God uses Daniel to interpret the king's dream • Daniel 2:1-49

## Accordion Book

See page 23 of the Teacher Book Year 2, Book 3

<p>•</p> <p>“Blessed be the name of God forever and ever, to whom belong wisdom and might.</p>	<p>He changes times and seasons;</p>
<p>he removes kings and sets up kings;</p>	<p>he reveals deep and hidden things; he knows what is in the darkness, and the light dwells with him” (Dan 2:20-22).</p>
<p>he gives wisdom to the wise and knowledge to those who have understanding;</p>	<p>he gives wisdom to the wise and knowledge to those who have understanding;</p>



God uses Daniel to interpret the king's dream • Daniel 2:1-49

# Accordion Book

See page 23 of the Teacher Book Year 2, Book 3

