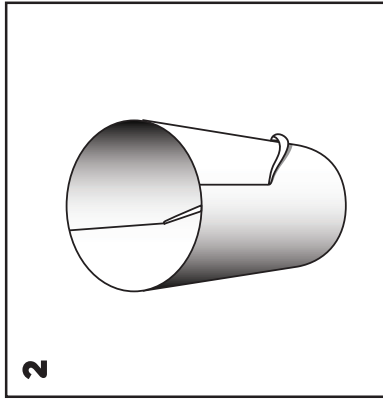


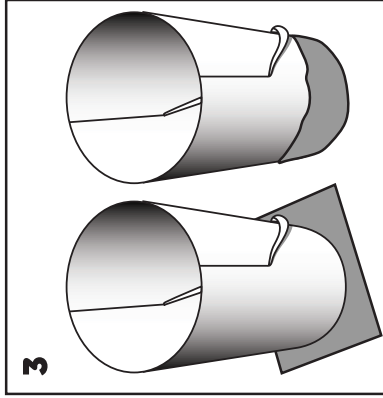
1

Use scissors to cut slits down each side of one end of the tube, about a 3rd of the way down. The slits should be parallel to each other.



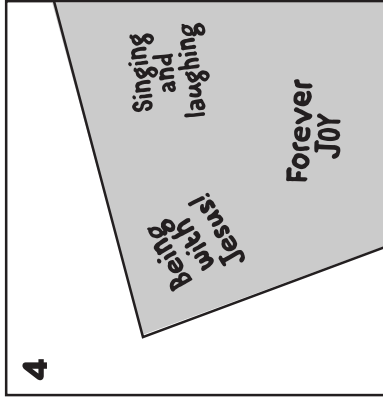
2

Pull the rubber band or hair tie through the slits.



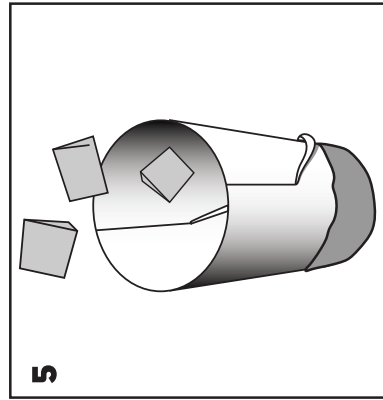
3

Cover the other end of the tube with a tissue paper square, securing it with glue or tape. (If you use glue, give it some time to dry.)



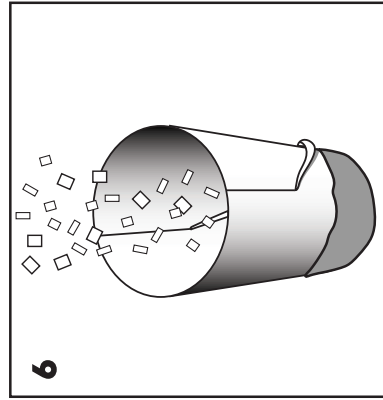
4

Invite kids to write what they are most looking forward to about heaven on a colorful piece of paper (in small writing with spaces between each idea).



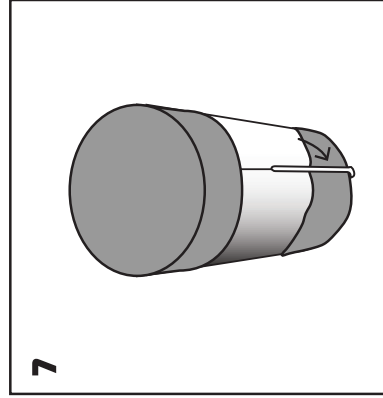
5

Tell kids to cut out each idea on their paper, fold them once or twice, and drop them into their tubes.



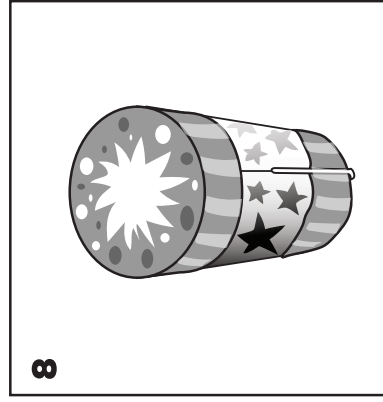
6

Invite kids to add confetti to their tubes, by carefully pouring it through the open end.



7

Direct kids to use another prepared tissue paper square to cover the other end of the tube, securing it with tape or glue (with time to dry). They should also pull the rubber band (or hair tie) to stretch over the end of the tube opposite from where the slits were cut.



8

Invite kids to use remaining supplies, such as colorful paper, markers, stickers, and/or washie tape to decorate their confetti poppers.



1 Peter 1:8-9

How can you love what you cannot see?

Revelation 7:16-17

Who is described as the shepherd and why?

Isaiah 35:10

What's the happiest you've ever been?
Can you imagine an everlasting joy even greater than that?

Psalms 16:11

What do we experience when we are with God?

Philippians 4:4

How can you remember to always be joyful?

