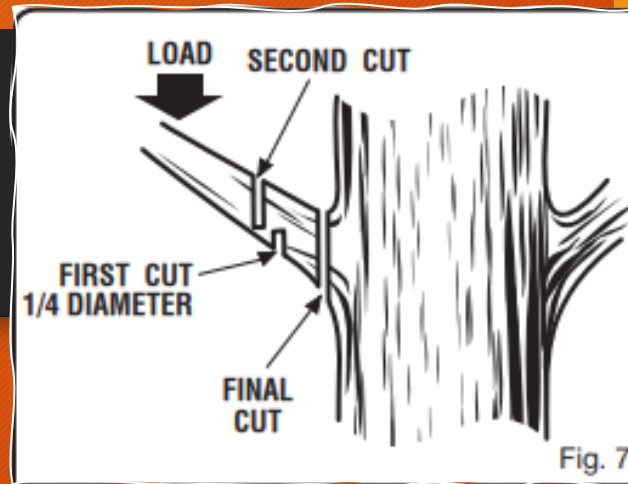


Discipline In Hope

OPERATION

Operator's Manual



IMPORTANT SAFETY INSTRUCTIONS

▲ WARNING:

Read and understand all instructions. Failure to follow all instructions listed below may result in electric shock, fire, and/or serious personal injury.

- Stay Alert — Watch what you are doing; use common sense. Do not operate this unit when you are tired, ill, or under the influence of alcohol, drugs, or medication.
- Do not operate in poor lighting.

- DANGER — Keep hands away from cutting area. Keep both hands on handles when power is on.



REGISTER YOUR TOOLS
<http://register.ryobitools.com>
 1-800-860-4050

OPERATOR'S MANUAL MANUEL D'UTILISATION MANUAL DEL OPERADOR

ELECTRIC POLE SAW SCIE ÉLECTRIQUE DE MANCHE ELÉCTRICA SIERRA DE PÉRTIGA

RY43161

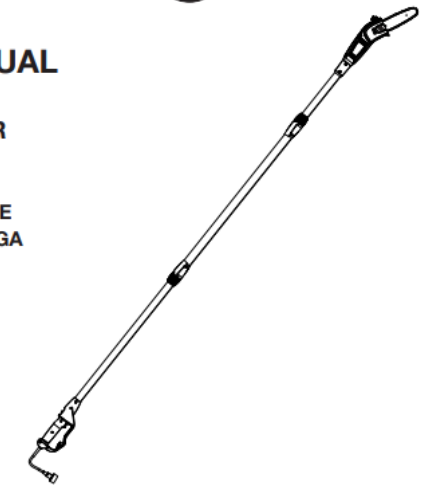


TABLE OF CONTENTS	TABLE DES MATIÈRES	ÍNDICE DE CONTENIDO
■ Important Safety Instructions..... 2-3	■ Instructions importantes concernant la sécurité..... 2-3	■ Instrucciones de seguridad importantes..... 2-3
■ Specific Safety Rules..... 3-4	■ Règles de sécurité particulières..... 3-4	■ Reglas de seguridad específicas..... 3-4
■ Symbols..... 5-6	■ Symboles..... 5-6	■ Símbolos..... 5-6
■ Electrical..... 7	■ Caractéristiques électriques..... 7	■ Aspectos eléctricos..... 7
■ Features..... 8-9	■ Caractéristiques..... 8-9	■ Características..... 8-9
■ Assembly..... 9-10	■ Assemblage..... 9-10	■ Armado..... 9-10
■ Operation..... 11-14	■ Utilisation..... 11-14	■ Funcionamiento..... 11-14
■ Maintenance..... 15-20	■ Entretien..... 15-21	■ Mantenimiento..... 15-21
■ Troubleshooting..... 21	■ Dépannage..... 21	■ Corrección de problemas..... 22
■ Parts Ordering/Service..... Back Page	■ Commande de pièces / réparation..... Page arrière	■ Pedidos de piezas/ servicio..... Pág. posterior

▲ **WARNING:** To reduce the risk of injury, the user must read and understand the operator's manual before using this product.

▲ **AVERTISSEMENT :** Pour réduire les risques de blessures, l'utilisateur doit lire et veiller à bien comprendre le manuel d'utilisation avant d'employer ce produit.

▲ **ADVERTENCIA:** Para reducir el riesgo de lesiones, el usuario debe leer y comprender el manual del operador antes de usar este producto.

SAVE THIS MANUAL FOR FUTURE REFERENCE

CONSERVER CE MANUEL POUR FUTURE RÉFÉRENCE

GUARDE ESTE MANUAL PARA FUTURAS CONSULTAS

Discipline In Hope Message

Godly correction trusts God's
word and carries out His
prescribed process

Godly correction rests in the hopefulness of God's process

Godly correction manifests itself in Christlikeness

Godly correction is devoted to faithfulness in obeying Scripture

Discipline In Hope
Eph 6:1-4

Proverbs 19:18

“a failure to discipline the son is tantamount to participating in killing him.” That is, parents who “do not employ the God-given means of verbal reproof to prevent acts of folly and corporal punishment to prevent their repetition, they are in fact unwittingly party to the worst punishment, his death (5:23)”

Bruce Waltke, *Proverbs 15-31*, p. 112

“If you give children the impression that to be religious is to be miserable, and that it consists of prohibitions and constant repression, you may well drive them into the arms of the devil, and into the world”

Martyn Lloyd-Jones, *Life in the Spirit in Marriage, Home and Work*, p. 297

Stern,
legalistic,
“almost
cruel”
parenting

Christlikeness in parenting

“Christians are to be filled with the Spirit, and people who are filled with the Spirit are always characterized by control. When you are disciplining a child you should have first controlled yourself. If you try to discipline your child when you are in a temper, it is certain that you will do more harm than good. What right have you to say to your child that he needs discipline when you obviously need it yourself?”

Martyn Lloyd-Jones, *Life in the Spirit in Marriage, Home and Work*, pp. 278-9

Spirit-filled Parenting

- Exercises self-control
- Never capricious (permissive, then in a rage)
- Not “unreasonable” (allow child to explain respectfully, weigh it, the child may be wrong, they should be heard)
- Not selfish, supposing child belongs to us and exists for us
- Done intelligently (for good reason)
- Never too severe
- Considers the child’s growth and development
- For the child’s good
- And exercised in love

Martyn Lloyd-Jones, *Life in the Spirit in Marriage, Home and Work*, pp. 278-288

Souls are at stake! (Prov 23:13-14)

“Your children’s souls are in danger of death—spiritual death. Your task is to rescue your children from death. Faithful and timely use of the rod is the means of rescue”

Tedd Tripp, *Shepherding A Child’s Heart*, p. 129

The rod is for rescue (Prov 23:13-14)

“This places the rod in its proper setting. The rod is not a matter of an angry parent venting his wrath upon a small helpless child. The rod is a faithful parent, recognizing his child’s dangerous state, employing a God-given remedy. The issue is not a parental insistence on being obeyed. The issue is the child’s need to be rescued from death—the death that results from rebellion left unchallenged in the heart”

Tedd Tripp, *Shepherding A Child’s Heart*, p. 129